

P-Shape Fabric Shielding Gaskets

Shielding Effectiveness
80 - 115dB

Frequency Range
20MHz - 1GHz

Low Compression
See page 18 for typical performance

Dura-Layer Construction
Resilient base with high-performance fabric

Recommended Compression
30-50% of gasket height

P-SHAPE with pressure sensitive adhesive mounting.

Available in standard 24" and 48" lengths or cut to length as desired.

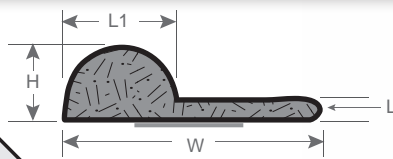
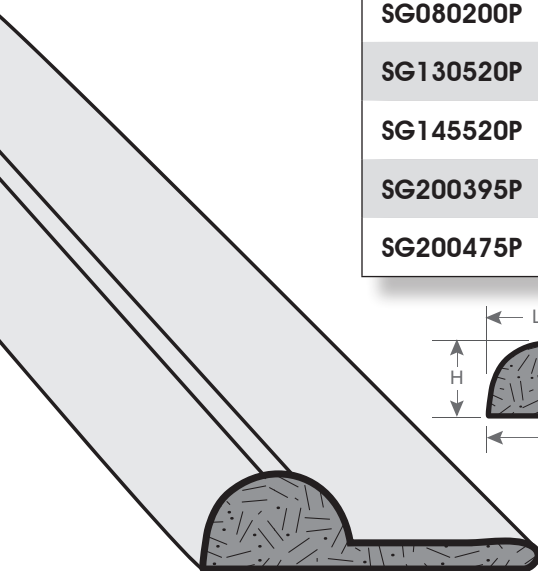
Conductive tape and products without tape can also be supplied. Contact factory for ordering information.

Please consult factory for sizes not shown.

See below for part number explanation.

See technical data sheet for typical cross section and length tolerances.

Part	H (in)	(mm)	W (in)	(mm)	L1 (in)	(mm)	L (in)	(mm)
SG016195P	0.016	0.41	0.195	4.95	0.070	1.78	0.005	0.13
SG060275P	0.060	1.52	0.275	6.99	0.118	3.00	0.014	0.35
SG080200P	0.080	2.03	0.200	5.08	0.118	3.00	0.020	0.50
SG130520P	0.130	3.30	0.520	13.21	0.260	6.60	0.039	1.00
SG145520P	0.145	3.68	0.520	13.21	0.252	6.40	0.039	1.00
SG200395P	0.200	5.08	0.395	10.03	0.157	4.00	0.079	2.00
SG200475P	0.200	5.08	0.475	12.07	0.157	4.00	0.079	2.00



Part Number Explanation

SG XXX XXX X - XX.XX

↓ ↓ ↓ ↓ ↓

start Height Width Profile Length

*Example:
SG130520P-22.50: Gasket .130 tall .520 wide, P-Shape and 22.5" long